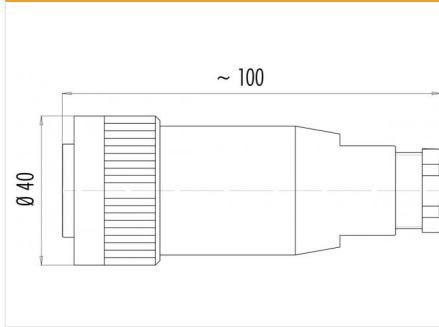


Product description **RD30 female cable connector, Contacts: 4+PE, 12.0 - 14.0 mm, shielding is not possible, screw clamp, IP65, ESTI+, VDE**  
 Area **RD30 series 694**  
 Order number **99 0710 02 05**

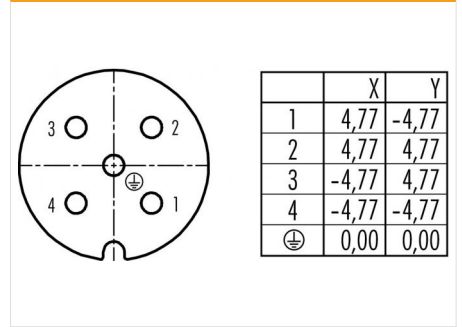
### Illustration



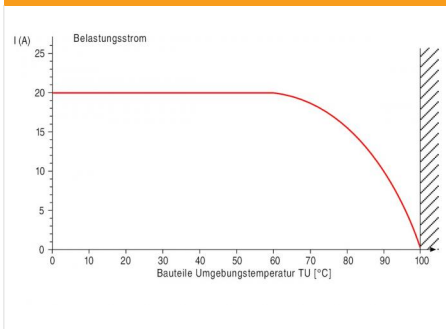
### Scale drawing



### Contact arrangement (Plug-in side)



### Derating curve



**You can find the component part drawing on the next page.**

## Technical data

### General values

Connector design female cable connector  
 Connector locking system screw  
 Termination screw clamp  
 Wire gauge (mm) 2.50 mm<sup>2</sup>  
 Wire gauge (AWG) 14  
 Cable outlet 12.0 - 14.0 mm  
 Upper limit temperature 100 °C  
 Customs tariff number 85369010  
 Packaging Unit 20

### Cable data

Approval 1 ESTI+  
 Approval 2 VDE

### Electrical values

Rated current (40 °C) 20 A  
 Rated voltage 400 V  
 Rated impulse voltage 6000 V  
 Pollution degree 3  
 Overvoltage category III  
 Insulating material group III  
 Insulation resistance  $\geq 10^{10} \Omega$   
 EMC compliance shielding is not possible  
 Degree of protection IP65  
 Mechanical operation > 500 Mating cycles

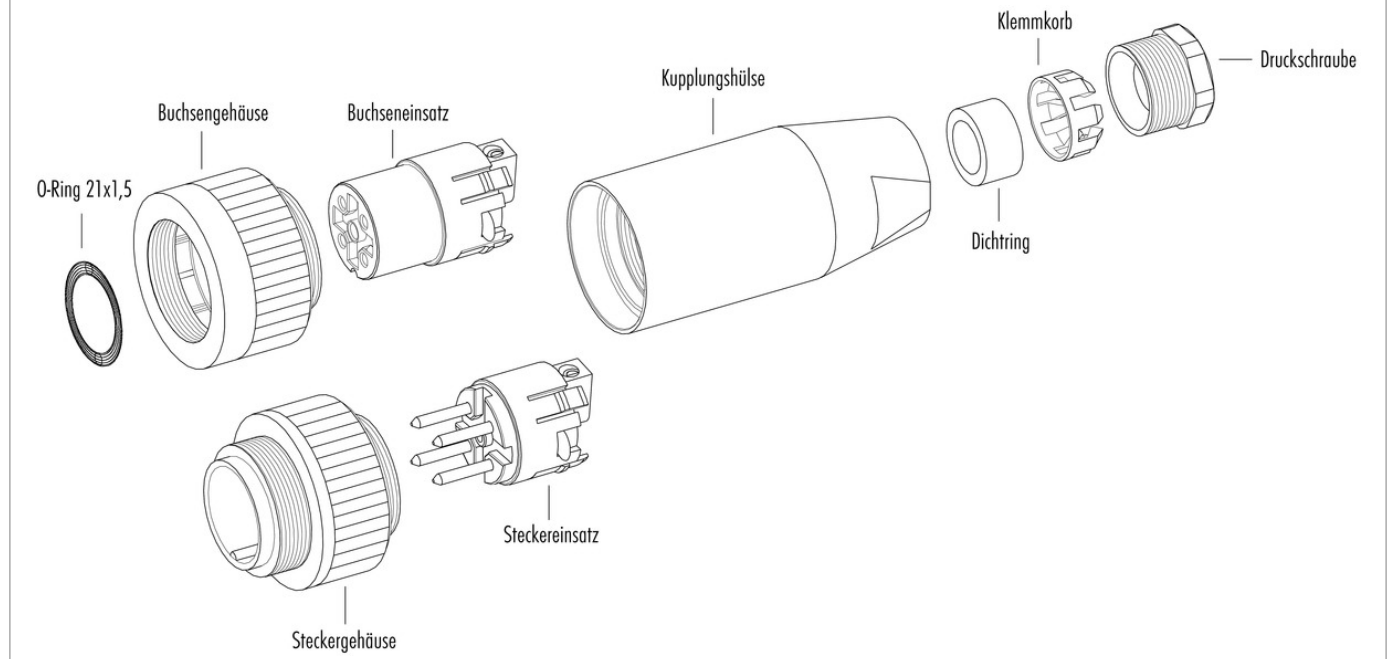
### Material

Contact material CuSn (bronze)  
 Contact plating Ag (silver)  
 Contact body material PA (UL94 HB)  
 Housing material PA  
 REACH SVHC CAS 96-45-7 (Imidazolidine-2-thione)  
 CAS 7439-92-1 (Lead)

Product description **RD30 female cable connector, Contacts: 4+PE, 12.0 - 14.0 mm, shielding is not possible, screw clamp, IP65, ESTI+, VDE**

Area **RD30 series 694**  
Order number **99 0710 02 05**

### Component part drawing



Product description	<b>RD30 female cable connector, Contacts: 4+PE, 12.0 - 14.0 mm, shielding is not possible, screw clamp, IP65, ESTI+, VDE</b>
Area	<b>RD30 series 694</b>
Order number	<b>99 0710 02 05</b>

## Security notices

The connector must not be connected or separated under load. Non-observance and incorrect use can result in personal injury.

The connectors are designed for use in plant, control system and electrical equipment. The end user is responsible for checking whether the connectors are suitable for use in other applications.

To prevent the connector being opened unintentionally when used in electrical circuits containing hazardous life parts, the thread between the housing and the connector head must be secured using a suitable cyanoacrylate adhesive. This does not apply to connectors used in SELV and PELV circuits according to IEC 61140 (EN 61140, VDE 0140-1).

Connectors used in electrical circuits containing hazardous life parts must only be assembled and used by or under the supervision of persons with the requisite electrotechnical training, taking the applicable regulations and standards into account.

The end user must take suitable safety measures to ensure that the connector cannot be disconnected accidentally. Connectors with degree of protection IP 67 and IP 68 are not suitable for use under water. When used outdoors, the connectors must be separately protected against corrosion. For further information about IP degrees of protection refer to 'Technical support' in the Download Centre.

To lock the cable connector to the equipment connector, the threaded ring is tightened until it is 'finger-tight' (approx. 50 cNm).